

Area & Perimeter Task Cards

Triangles, Quadrilaterals, and Irregular Polygons

Laura Candler

17
Garden in the shape of a right triangle with lengths of 3 m,

7
10.5 cm
10.5 cm
9.5 cm
9 cm

4 cm
8 cm
4 cm

16
10.4 cm
6 cm
3 cm
10 cm

1 m
25 cm
50 cm
25 cm



Metric System Version



What's Included :

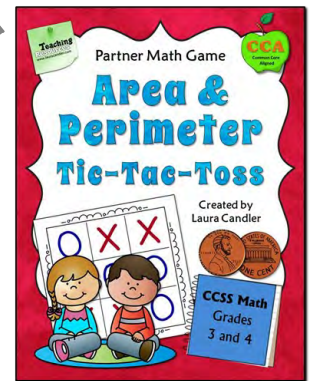
- Polygon Task Cards (30 color and 30 B&W)
- 30 Answer Cards
- Single Page Answer Keys
- 2 Types of Recording Forms
- Blank Task Cards
- Blank Answer Keys
- Task Card Set Covers



Area & Perimeter Task Cards (Metric Version) includes 30 unique task cards with a variety of polygons including triangles, quadrilaterals, as well as irregular polygons that can be divided into triangles or rectangles. Dimensions are in metric units and include whole numbers and decimals. This packet also has two types of recording forms, a single-page answer key, and answers that can be printed on the backs of the cards. All materials are available in both black and white and color.

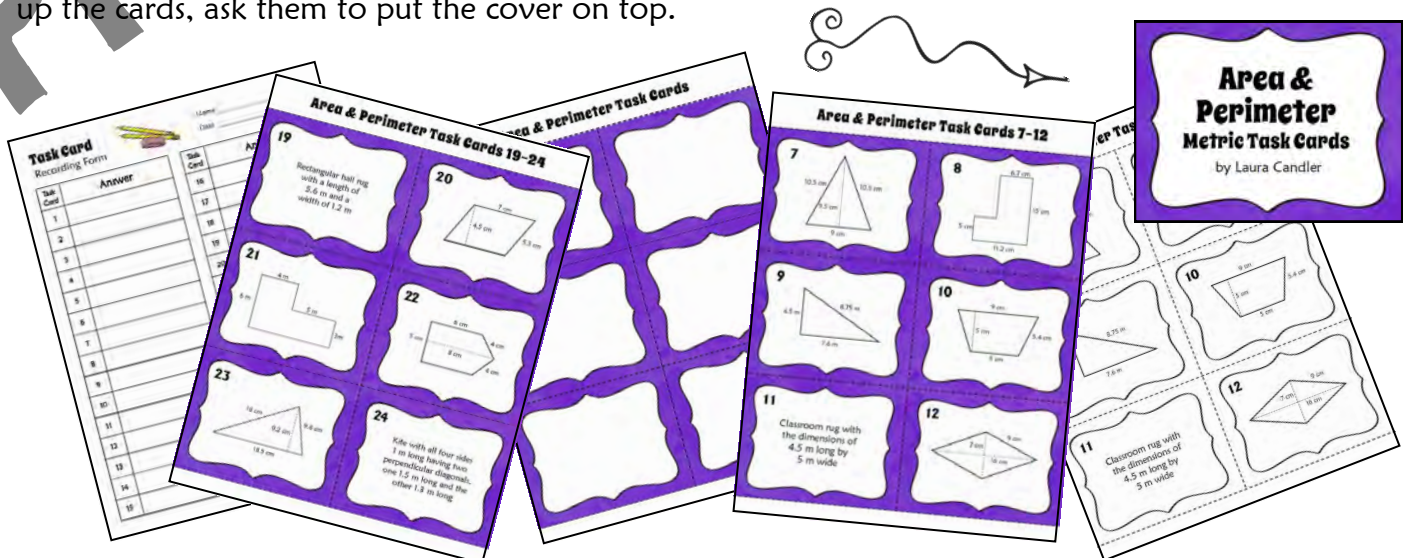
How to Use the Task Cards

These task cards are unique because they can be used for finding both area AND perimeter. The cards only include polygons with labeled dimensions, and they do not specify whether the student should find the area, the perimeter, or both. The cards work well with *Area & Perimeter Tic-Tac-Toss*, a game in which students flip a coin to determine whether to calculate the area or the perimeter of the polygon on the task card. If you're not using the cards with that game, be sure to provide directions for your students about whether to find the area, perimeter, or both. To preview *Area & Perimeter Tic-Tac-Toss*, click the cover image to find it in my TpT store.



Preparing the Cards

Print the task cards on sturdy cardstock or construction paper. If you want answers on the backs of the cards, print the answer card pages on the backs of the task card pages before laminating them. If aligned properly, the answer for each card will appear on the reverse side of the card. Cut the task cards apart and store each set in a plastic zippered bag. If you would like to prepare a cover card for each set, cut out and laminate the cover cards provided in this packet. When students bag up the cards, ask them to put the cover on top.



Area & Perimeter Task Card Covers

Area & Perimeter Metric Task Cards

by Laura Candler

Area & Perimeter Metric Task Cards

by Laura Candler

Area & Perimeter Metric Task Cards

by Laura Candler

Area & Perimeter Metric Task Cards

by Laura Candler

Area & Perimeter Metric Task Cards

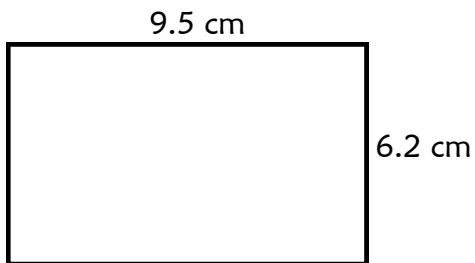
by Laura Candler

Area & Perimeter Metric Task Cards

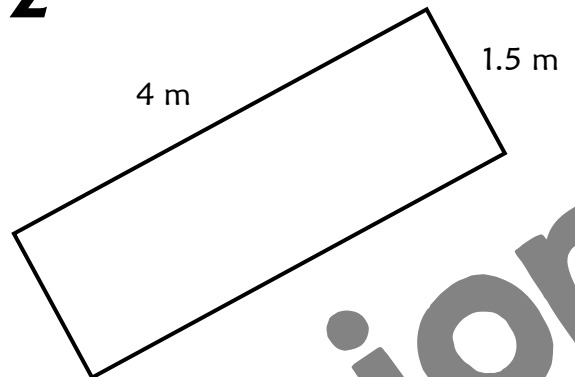
by Laura Candler

Area & Perimeter Task Cards 1-6

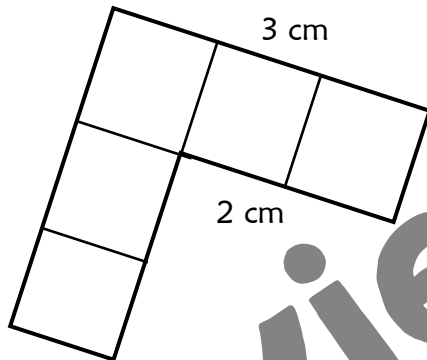
1



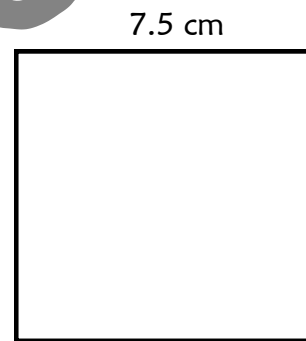
2



3



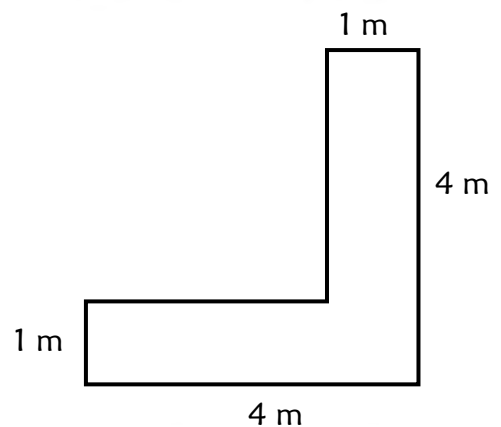
4



5

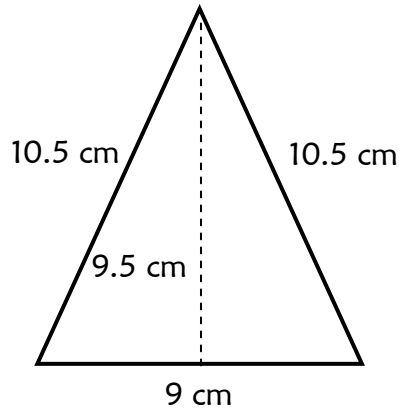
Square sandbox that
measures 1.6 m
long on all sides

6

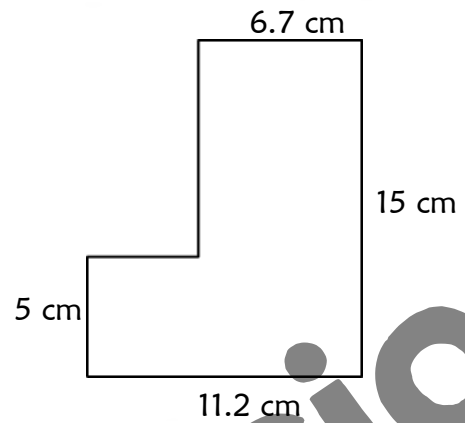


Area & Perimeter Task Cards 7-12

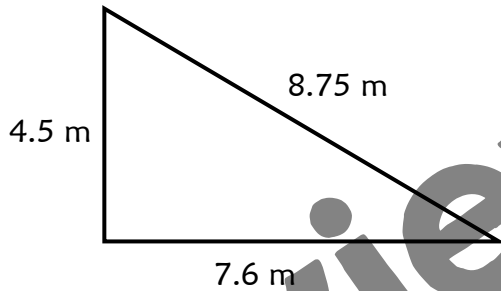
7



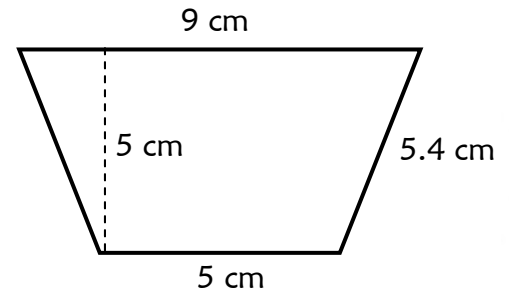
8



9



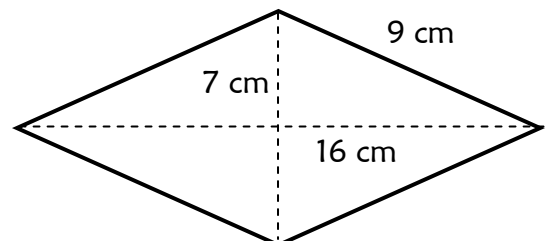
10



11

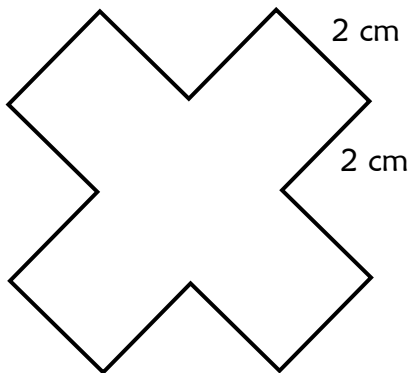
Classroom rug with
the dimensions of
4.5 m long by
5 m wide

12



Area & Perimeter Task Cards 13-18

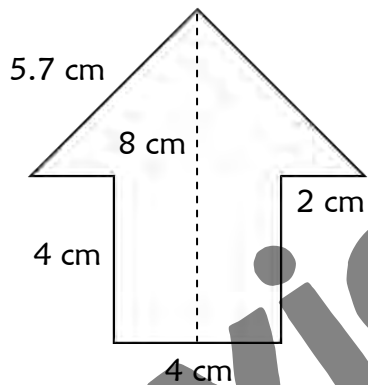
13



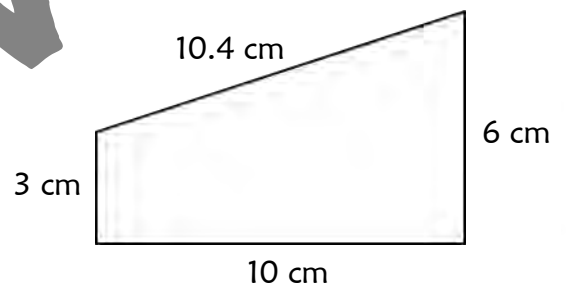
14

Tablecloth with all four sides having a length of 1.2 m

15



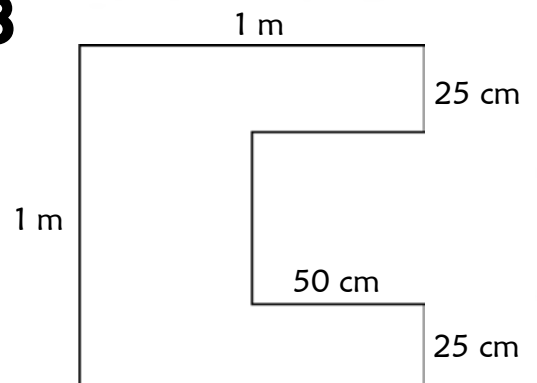
16



17

Garden in the shape of a right triangle with lengths of 3 m, 4 m, and 5 m.

18

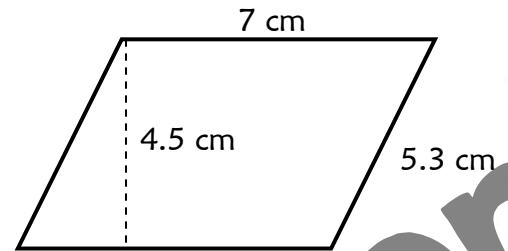


Area & Perimeter Task Cards 19-24

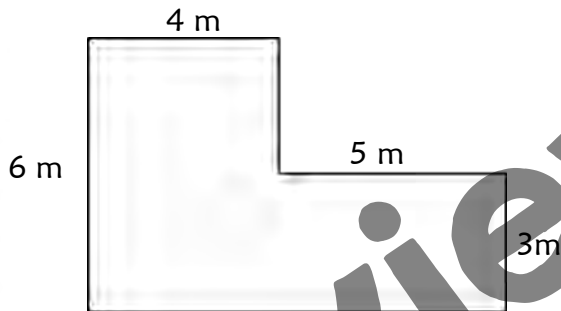
19

Rectangular hall rug
with a length of
5.6 m and a
width of 1.2 m

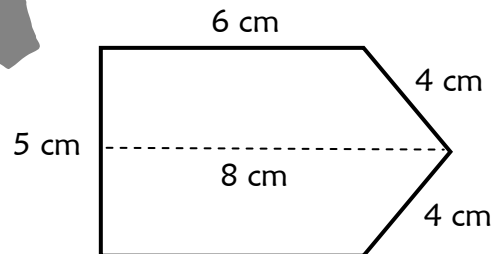
20



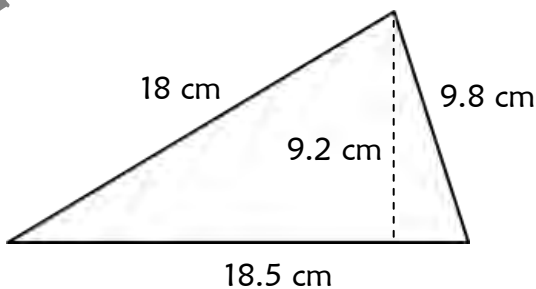
21



22



23

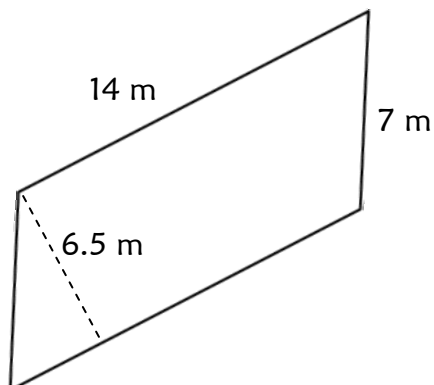


24

Kite with all four sides
1 m long having two
perpendicular diagonals,
one 1.5 m long and the
other 1.3 m long

Area & Perimeter Task Cards 25-30

25



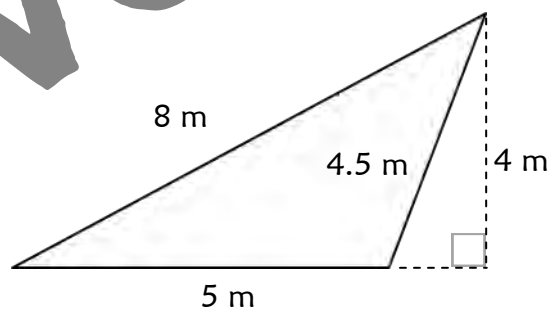
26

Square sheet of wrapping paper measuring 0.8 m on all four sides

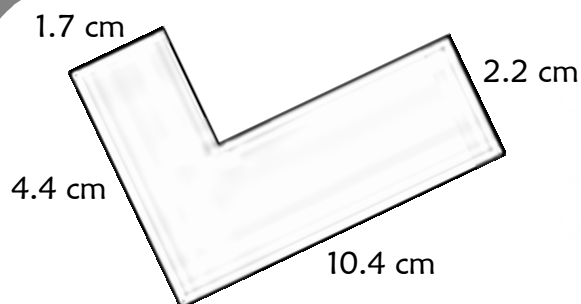
27

Rectangular bathroom floor covered in 25 cm square tiles, with 4 rows of tiles and 5 tiles in each row

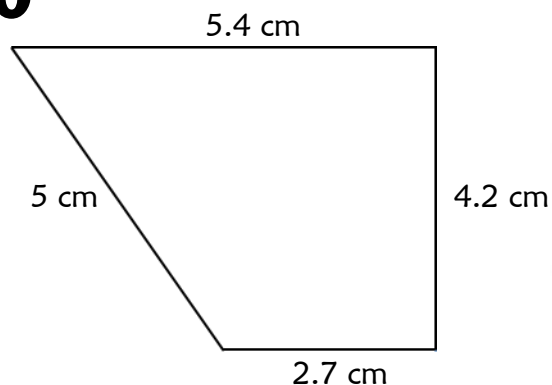
28



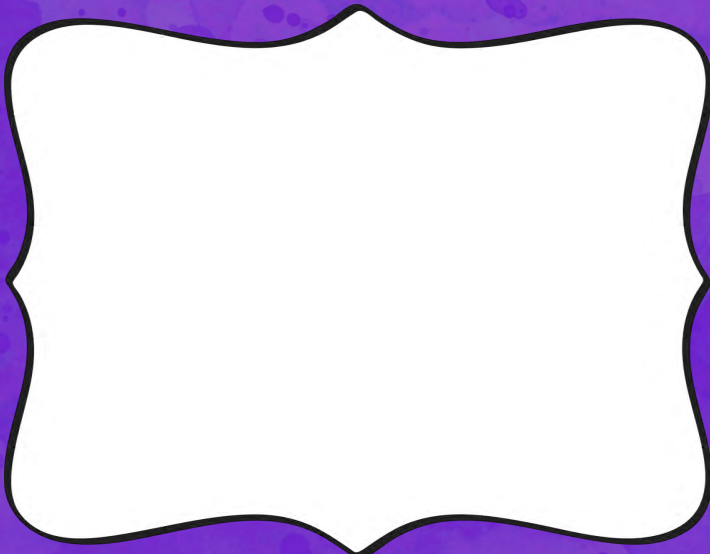
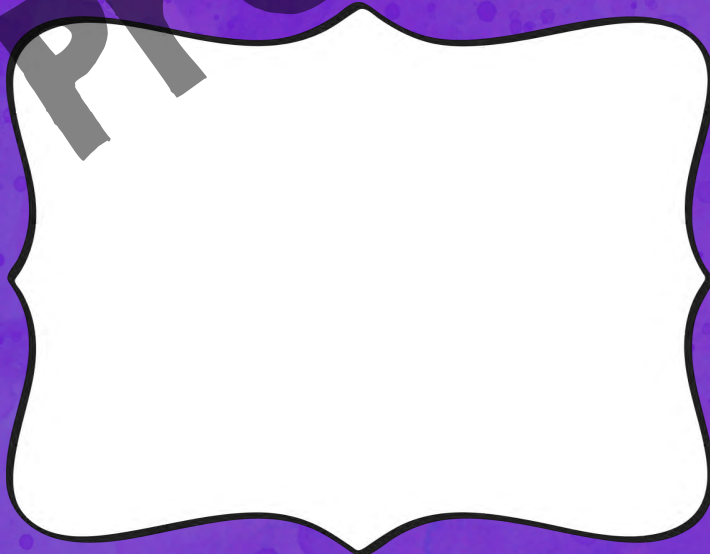
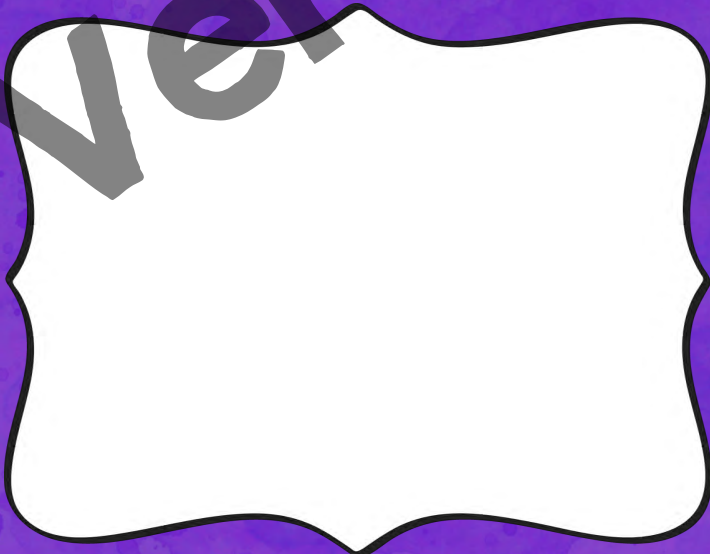
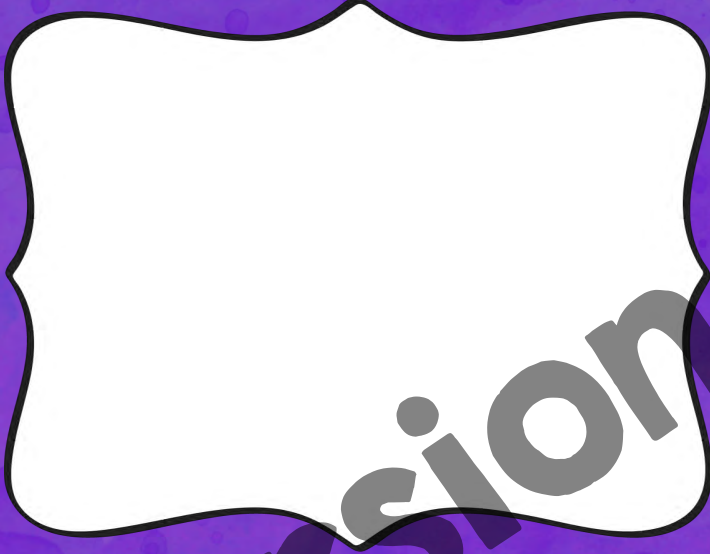
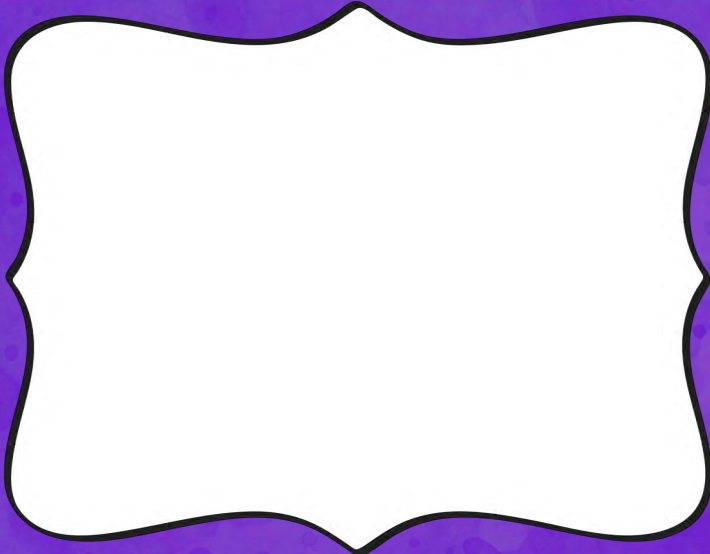
29



30



Area & Perimeter Task Cards



Area & Perimeter Metric Task Cards

Answer Key

	Answers
1	P = 31.4 cm A = 58.9 cm ²
2	P = 11 m A = 6 m ²
3	P = 12 cm A = 5 cm ²
4	P = 30 cm A = 56.25 cm ²
5	P = 6.4 m A = 2.56 m ²
6	P = 16 m A = 7 m ²
7	P = 30 cm A = 42.75 cm ²
8	P = 52.4 cm A = 123 cm ²
9	P = 20.85 m A = 17.1 m ²
10	P = 24.8 cm A = 35 cm ²
11	P = 19 m A = 22.5 m ²
12	P = 36 cm A = 56 cm ²
13	P = 24 cm A = 20 cm ²
14	P = 4.8 m A = 1.44 m ²
15	P = 27.4 cm A = 32 cm ²

Task Card	Answers
16	P = 29.4 cm A = 45 cm ²
17	P = 12 m A = 6 m ²
18	P = 500 cm A = 7,500 cm ² or 5 m or 0.75 m ²
19	P = 13.6 m A = 6.72 m ²
20	P = 24.6 cm A = 31.5 cm ²
21	P = 30 m A = 39 m ²
22	P = 25 cm A = 35 cm ²
23	P = 46.3 cm A = 85.1 cm ²
24	P = 4 m A = 0.975 m ²
25	P = 42 m A = 91 m ²
26	P = 3.2 m A = 0.64 m ²
27	P = 450 cm A = 12,500 cm ² or 4.5 m or 1.25 m ²
28	P = 17.5 m A = 10 m ²
29	P = 29.6 cm A = 26.62 cm ²
30	P = 17.3 cm A = 17.01 cm ²

Area & Perimeter Task Card Covers

Area & Perimeter Metric Task Cards

by Laura Candler

Area & Perimeter Metric Task Cards

by Laura Candler

Area & Perimeter Metric Task Cards

by Laura Candler

Area & Perimeter Metric Task Cards

by Laura Candler

Area & Perimeter Metric Task Cards

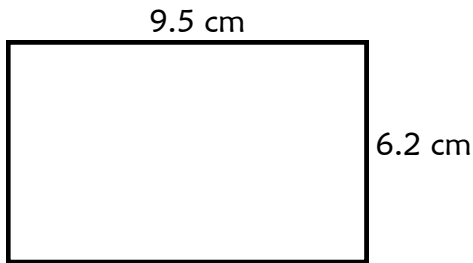
by Laura Candler

Area & Perimeter Metric Task Cards

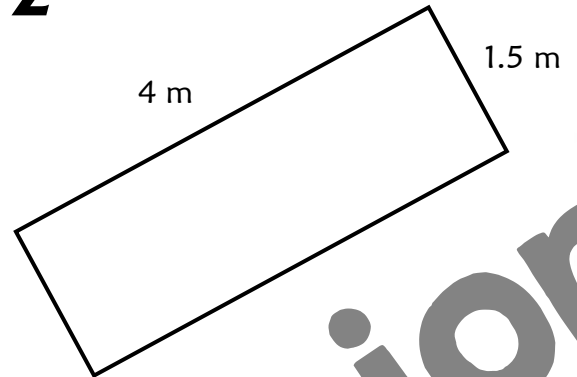
by Laura Candler

Area & Perimeter Task Cards 1-6

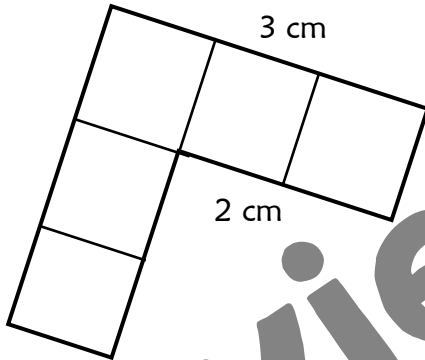
1



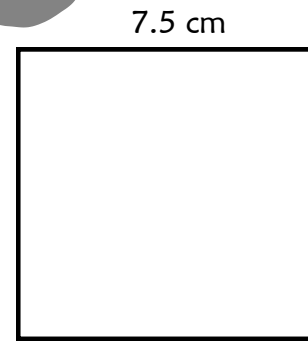
2



3



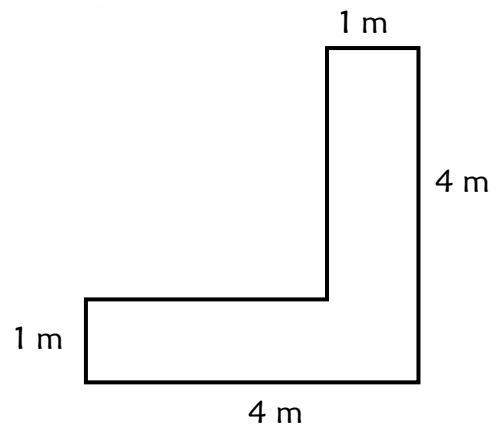
4



5

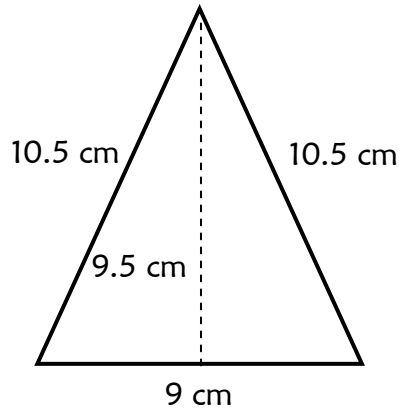
Square sandbox that
measures 1.6 m
long on all sides

6

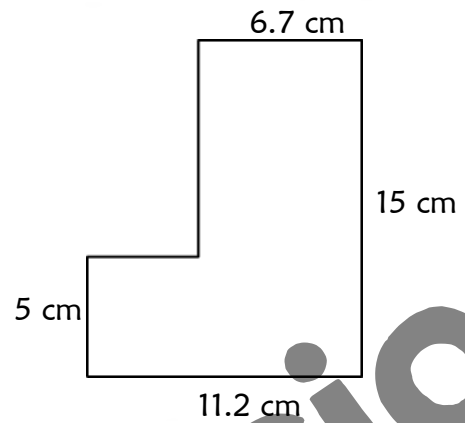


Area & Perimeter Task Cards 7-12

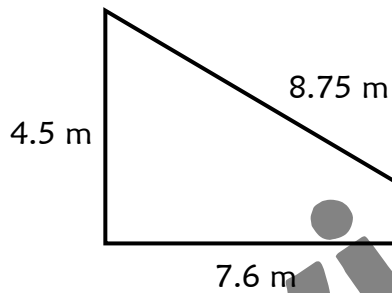
7



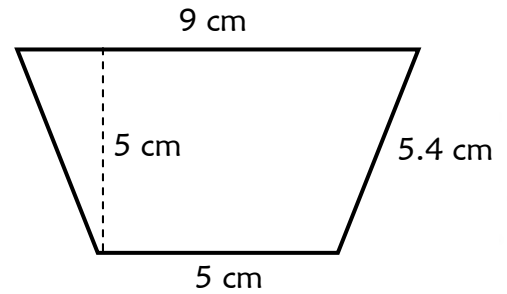
8



9



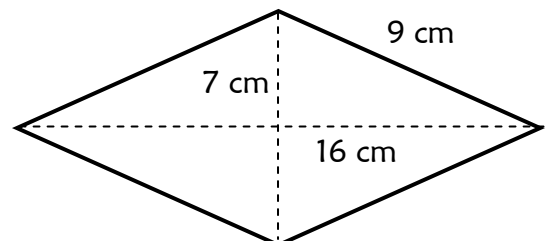
10



11

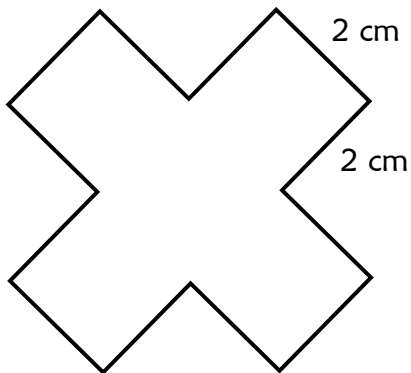
Classroom rug with
the dimensions of
4.5 m long by
5 m wide

12



Area & Perimeter Task Cards 13-18

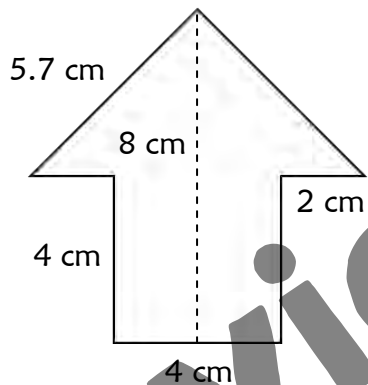
13



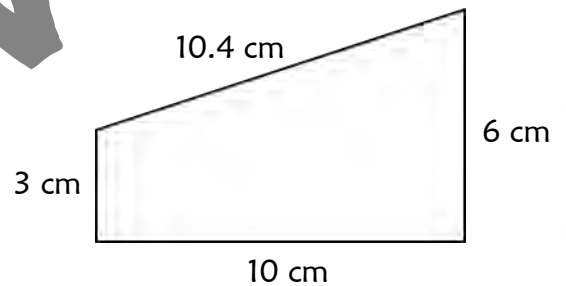
14

Tablecloth with all four sides having a length of 1.2 m

15



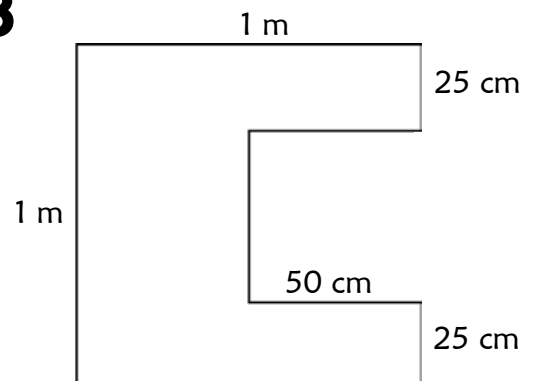
16



17

Garden in the shape of a right triangle with lengths of 3 m, 4 m, and 5 m.

18

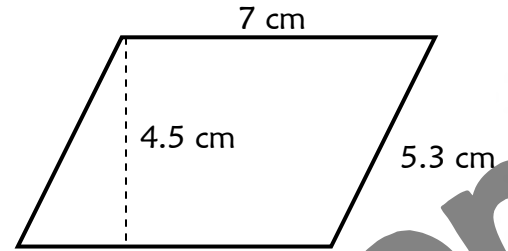


Area & Perimeter Task Cards 19-24

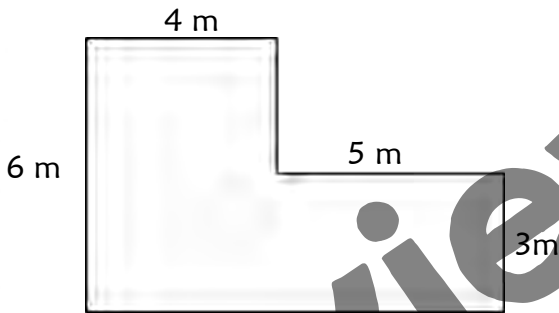
19

Rectangular hall rug
with a length of
5.6 m and a
width of 1.2 m

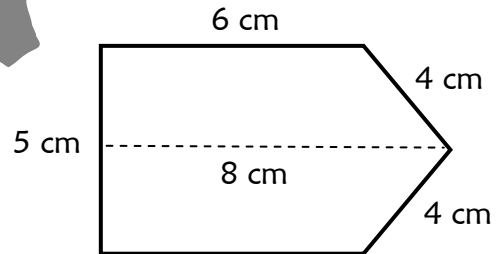
20



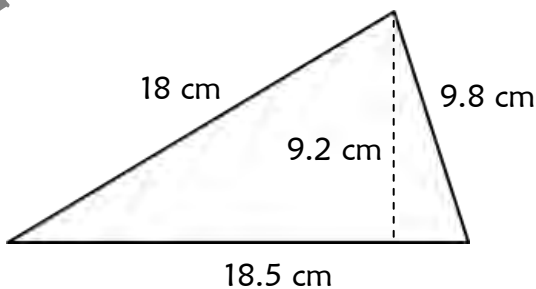
21



22



23

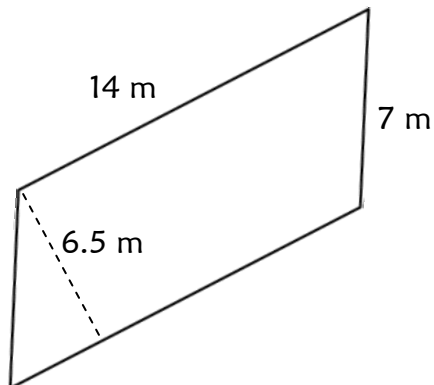


24

Kite with all four sides
1 m long having two
perpendicular diagonals,
one 1.5 m long and the
other 1.3 m long

Area & Perimeter Task Cards 25-30

25



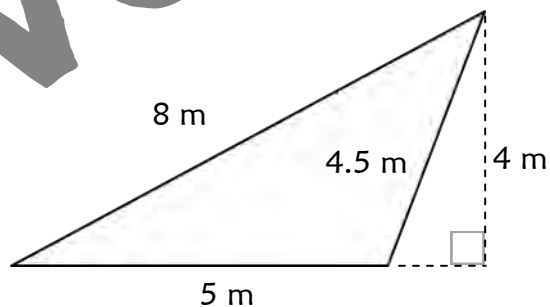
26

Square sheet of wrapping paper measuring 0.8 m on all four sides

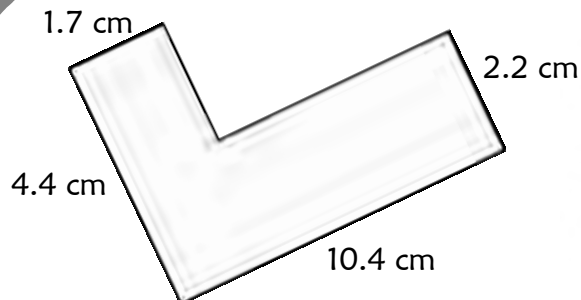
27

Rectangular bathroom floor covered in 25 cm square tiles, with 4 rows of tiles and 5 tiles in each row

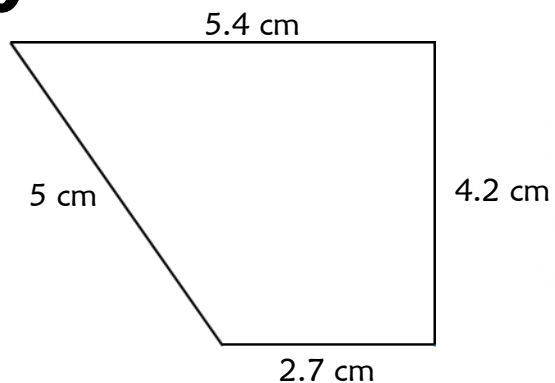
28



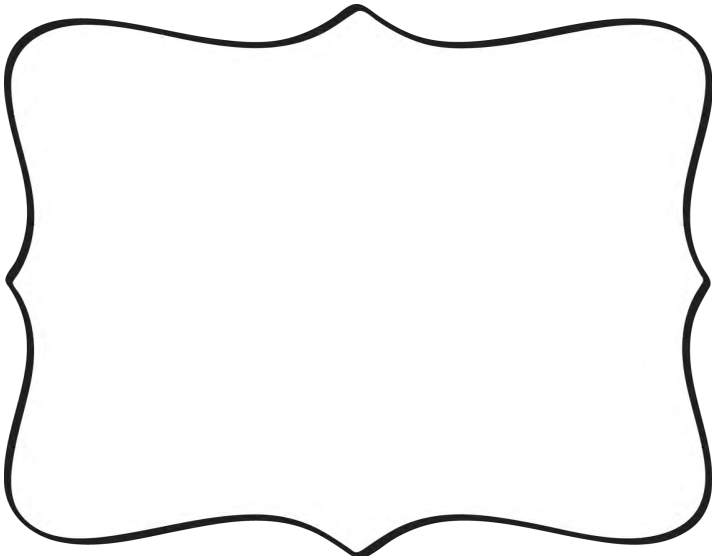
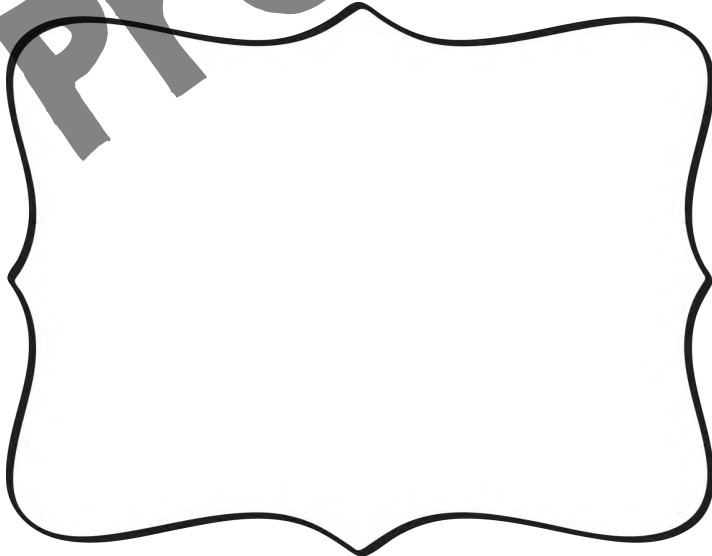
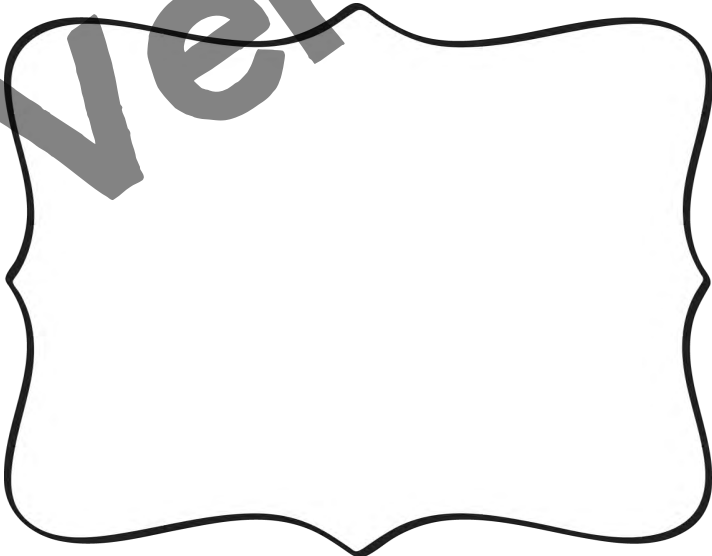
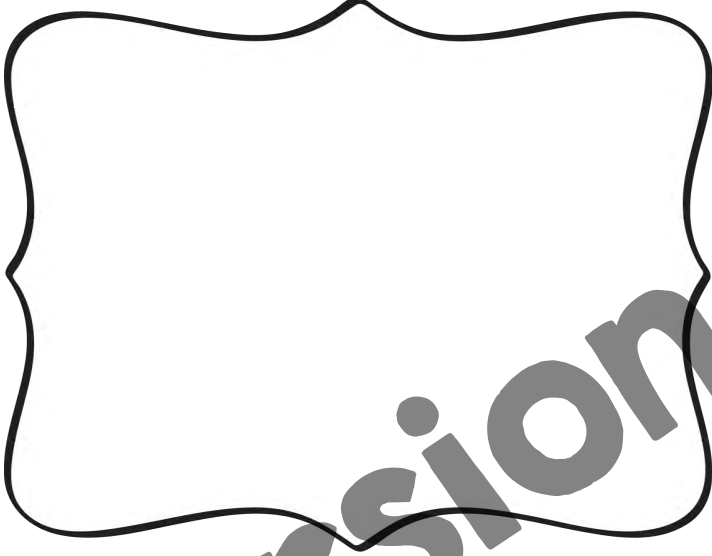
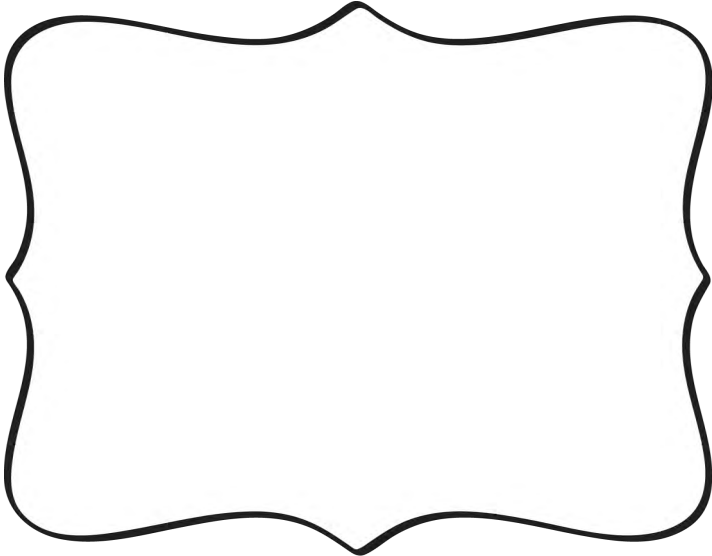
29



30



Area & Perimeter Task Cards



Area & Perimeter Metric Task Cards

Answer Key

	Answers
1	P = 31.4 cm A = 58.9 cm ²
2	P = 11 m A = 6 m ²
3	P = 12 cm A = 5 cm ²
4	P = 30 cm A = 56.25 cm ²
5	P = 6.4 m A = 2.56 m ²
6	P = 16 m A = 7 m ²
7	P = 30 cm A = 42.75 cm ²
8	P = 52.4 cm A = 123 cm ²
9	P = 20.85 m A = 17.1 m ²
10	P = 24.8 cm A = 35 cm ²
11	P = 19 m A = 22.5 m ²
12	P = 36 cm A = 56 cm ²
13	P = 24 cm A = 20 cm ²
14	P = 4.8 m A = 1.44 m ²
15	P = 27.4 cm A = 32 cm ²

Task Card	Answers
16	P = 29.4 cm A = 45 cm ²
17	P = 12 m A = 6 m ²
18	P = 500 cm or 5 m A = 7,500 cm ² or 0.75 m ²
19	P = 13.6 m A = 6.72 m ²
20	P = 24.6 cm A = 31.5 cm ²
21	P = 30 m A = 39 m ²
22	P = 25 cm A = 35 cm ²
23	P = 46.3 cm A = 85.1 cm ²
24	P = 4 m A = 0.975 m ²
25	P = 42 m A = 91 m ²
26	P = 3.2 m A = 0.64 m ²
27	P = 450 cm or 4.5 m A = 12,500 cm ² or 1.25 m ²
28	P = 17.5 m A = 10 m ²
29	P = 29.6 cm A = 26.62 cm ²
30	P = 17.3 cm A = 17.01 cm ²

Area & Perimeter Metric Answers (1-6)

Answers will be in correct locations when page is printed on back of task cards.

#2

$$P = 11 \text{ m}$$
$$A = 6 \text{ m}^2$$

#1

$$P = 31.4 \text{ cm}$$
$$A = 58.9 \text{ cm}^2$$

#4

$$P = 30 \text{ cm}$$
$$A = 56.25 \text{ cm}^2$$

#3

$$P = 12 \text{ cm}$$
$$A = 5 \text{ cm}^2$$

#6

$$P = 16 \text{ m}$$
$$A = 7 \text{ m}^2$$

#5

$$P = 6.4 \text{ m}$$
$$A = 2.56 \text{ m}^2$$

Area & Perimeter Metric Answers (7-12)

Answers will be in correct locations when page is printed on back of task cards.

#8

$$P = 52.4 \text{ cm}$$

$$A = 123 \text{ cm}^2$$

#7

$$P = 30 \text{ cm}$$

$$A = 42.75 \text{ cm}^2$$

#10

$$P = 24.8 \text{ cm}$$

$$A = 35 \text{ cm}^2$$

#9

$$P = 20.85 \text{ m}$$

$$A = 17.1 \text{ m}^2$$

#12

$$P = 36 \text{ cm}$$

$$A = 56 \text{ cm}^2$$

#11

$$P = 19 \text{ m}$$

$$A = 22.5 \text{ m}^2$$

Area & Perimeter Metric Answers (13-18)

Answers will be in correct locations when page is printed on back of task cards.

#14

$$P = 4.8 \text{ m}$$

$$A = 1.44 \text{ m}^2$$

#13

$$P = 24 \text{ cm}$$

$$A = 20 \text{ cm}^2$$

#16

$$P = 29.4 \text{ cm}$$

$$A = 45 \text{ cm}^2$$

#15

$$P = 27.4 \text{ cm}$$

$$A = 32 \text{ cm}^2$$

#18

$$P = 500 \text{ cm or } 5 \text{ m}$$

$$A = 7,500 \text{ cm}^2 \text{ or } 0.75 \text{ m}^2$$

#17

$$P = 12 \text{ m}$$

$$A = 6 \text{ m}^2$$

Area & Perimeter Metric Answers (19-24)

Answers will be in correct locations when page is printed on back of task cards.

#20

$$P = 24.6 \text{ cm}$$

$$A = 31.5 \text{ cm}^2$$

#19

$$P = 13.6 \text{ m}$$

$$A = 6.72 \text{ m}^2$$

#22

$$P = 25 \text{ cm}$$

$$A = 35 \text{ cm}^2$$

#21

$$P = 30 \text{ m}$$

$$A = 39 \text{ m}^2$$

#24

$$P = 4 \text{ m}$$

$$A = 0.975 \text{ m}^2$$

#23

$$P = 46.3 \text{ cm}$$

$$A = 85.1 \text{ cm}^2$$

Area & Perimeter Metric Answers (25-30)

Answers will be in correct locations when page is printed on back of task cards.

#26

$$P = 3.2 \text{ m}$$

$$A = 0.64 \text{ m}^2$$

#25

$$P = 42 \text{ m}$$

$$A = 91 \text{ m}^2$$

#28

$$P = 17.5 \text{ m}$$

$$A = 10 \text{ m}^2$$

#27

$$P = 450 \text{ cm or } 4.5 \text{ m}$$

$$A = 12,500 \text{ cm}^2 \text{ or } 1.25 \text{ m}^2$$

#30

$$P = 17.3 \text{ cm}$$

$$A = 17.01 \text{ cm}^2$$

#29

$$P = 29.6 \text{ cm}$$

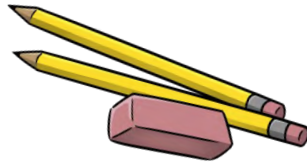
$$A = 26.62 \text{ cm}^2$$

Area & Perimeter Task Card Answers

Preview Version

Task Card

Recording Form



Name _____

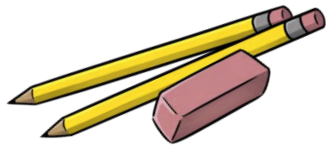
Date _____

Task Card	Answers
1	
2	
3	
4	
5	
6	
7	
8	
9	
10	
11	
12	
13	
14	
15	

Task Card	Answers
16	
17	
18	
19	
20	
21	
22	
23	
24	
25	
26	
27	
28	
29	
30	

Area & Perimeter

Recording Form



Name _____

Date _____

Task Card	Answers	
1	P =	A =
2	P =	A =
3	P =	A =
4	P =	A =
5	P =	A =
6	P =	A =
7	P =	A =
8	P =	A =
9	P =	A =
10	P =	A =
11	P =	A =
12	P =	A =
13	P =	A =
14	P =	A =
15	P =	A =

Task Card	Answers	
16	P =	A =
17	P =	A =
18	P =	A =
19	P =	A =
20	P =	A =
21	P =	A =
22	P =	A =
23	P =	A =
24	P =	A =
25	P =	A =
26	P =	A =
27	P =	A =
28	P =	A =
29	P =	A =
30	P =	A =

Acknowledgements

I want to thank my Facebook friends who offered suggestions, proofread the text, or checked the answer keys. Special thanks to Ann Bullard, Tami Terry, Shirin Chalik, Holly Patton, Gwen Cook and Jo Senftleben. This little set of cards turned out to be quite a challenge for a number of reasons, and I could not have completed it without your help!

Copyright and Permission Info

Area & Perimeter Task Cards is protected by copyright. Unless your school has purchased multiple licenses, your single user purchase entitles you to make copies for your classroom only. You may not distribute this ebook in print or digital form without permission. Email me at contact@lauracandler.com with inquiries. Thanks for valuing my hard work by respecting the copyright on this book! ~ Laura Candler



Website: www.lauracandler.com

Pinterest: www.pinterest.com/lauracandler

Facebook: www.facebook.com/teachingresources

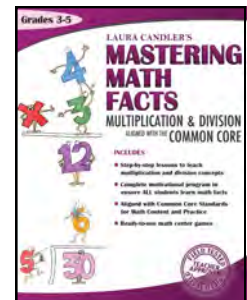
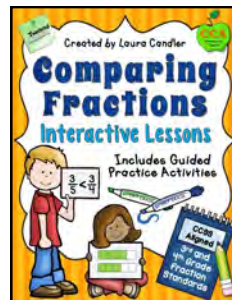
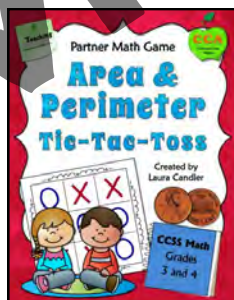
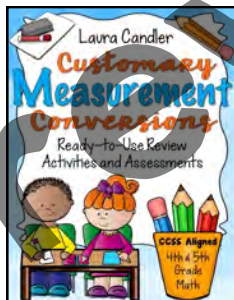
TpT Store: www.teacherspayteachers.com/Store/Laura-Candler

Corkboard Connections Blog: www.corkboardconnections.com

Candler's Classroom Connections: www.lauracandler.com/signup.php

More Math Books and Products by Laura Candler

Click each cover below to find the item on TeachersPayTeachers.



Artwork Credits

Educlips www.teacherspayteachers.com/Store/Educlips

KPM Doodles www.teacherspayteachers.com/Store/Kpm-Doodles

Teacher Laura www.teacherspayteachers.com/Store/Teacher-Laura

The Painted Crow www.teacherspayteachers.com/Store/The-Painted-Crow

Mad Clips Factory www.teacherspayteachers.com/Store/Mad-Clips-Factory

Digital Classroom Clipart www.teacherspayteachers.com/Store/Digital-Classroom-Clipart

